

8 7 6 5 4 3 2 1

F

F

E

E

D

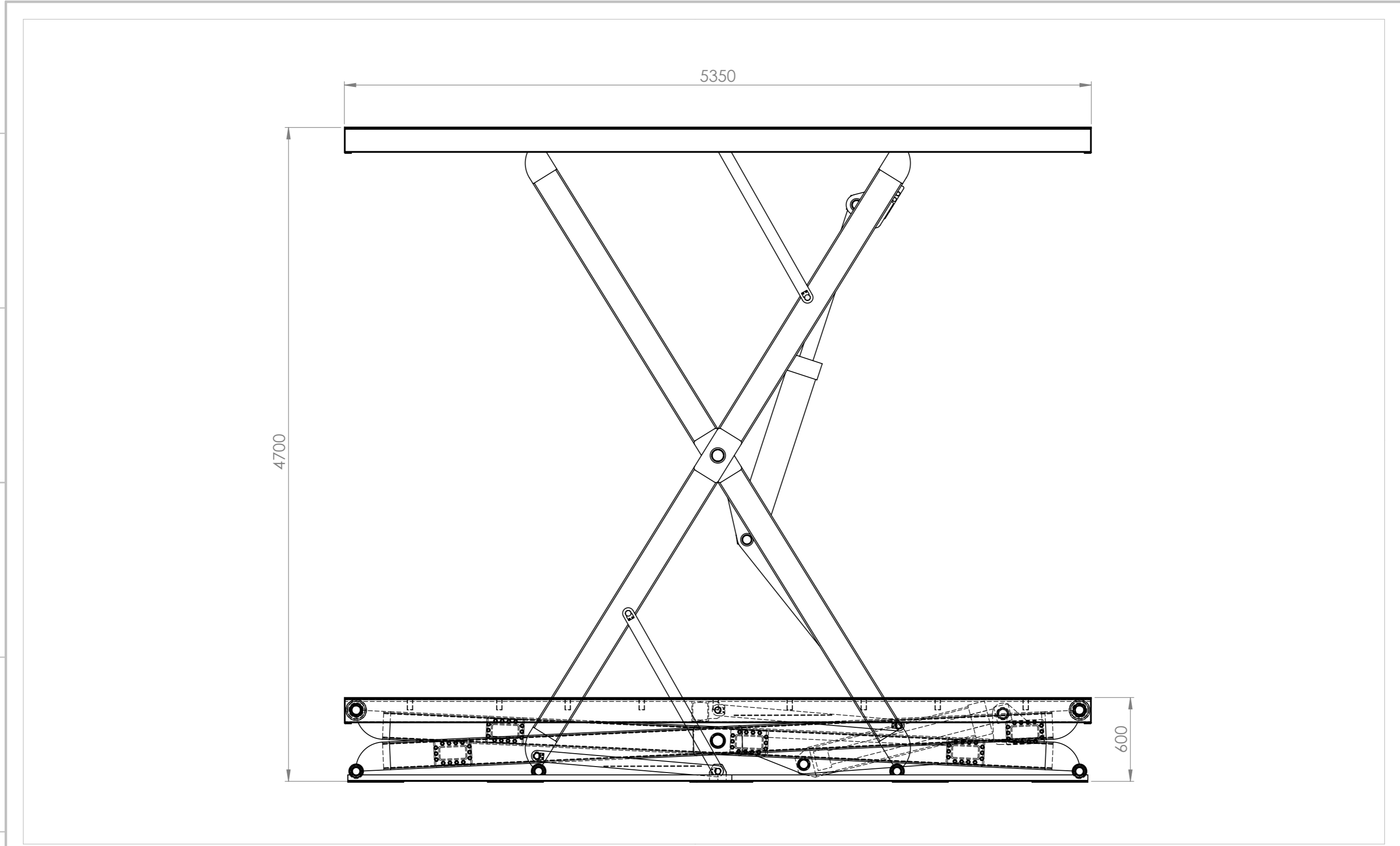
D

C

C

B

B



UNLESS OTHERWISE SPECIFIED: DIMENSIONS ARE IN MILLIMETERS
DO NOT SCALE DRAWING

TITLE:
HYDRAULIC SCISSOR LIFT

QTY.		NAME	SIGNATURE	DATE		NAME	SIGNATURE	DATE	MATERIAL:	DWG NO.
	DESIGN	Eng. ALIREZA JAVAN		-	APPV'D	Eng. ALIREZA JAVAN		-		544721
	DRAWN	Eng. DARA ZARBAF		-	MFG					REVISION:
	CHK'D	Eng. DARA ZARBAF		-	Q.A				WEIGHT (kg):	SHEET 1 OF 1



8 7 6 5 4 3 2 1

A

A